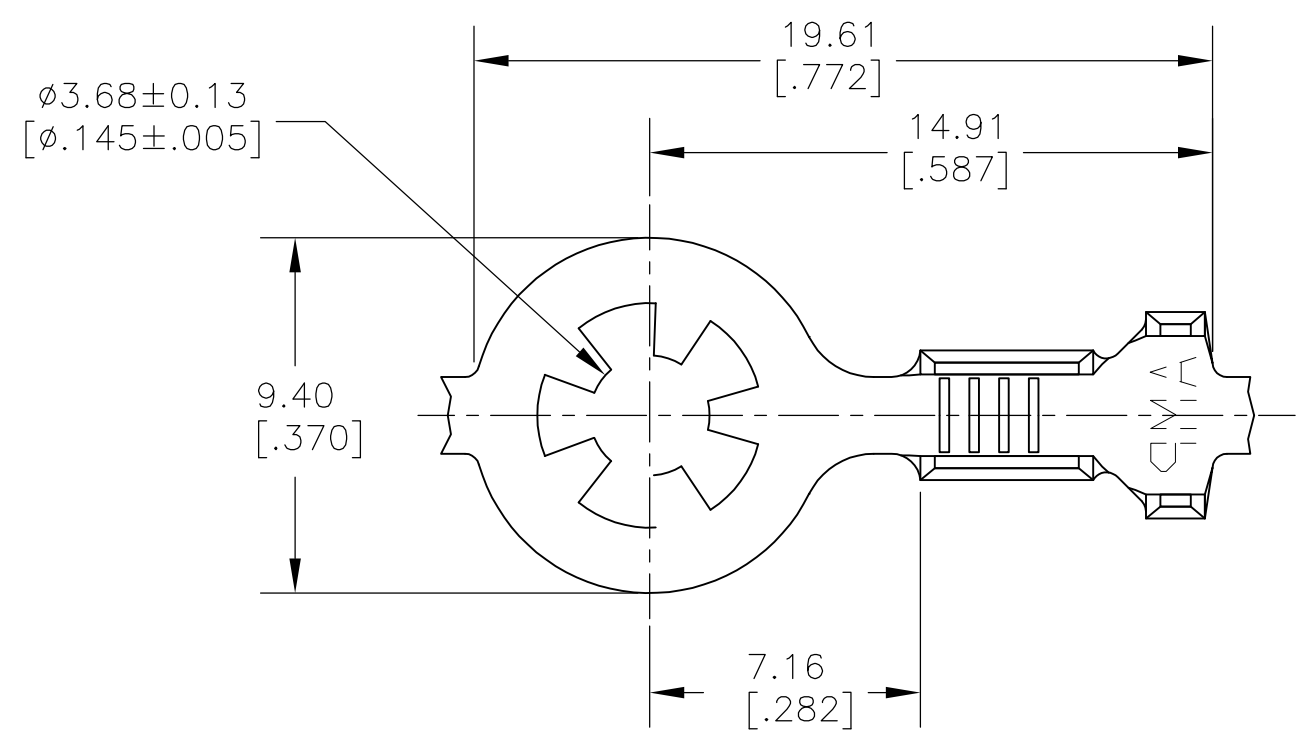
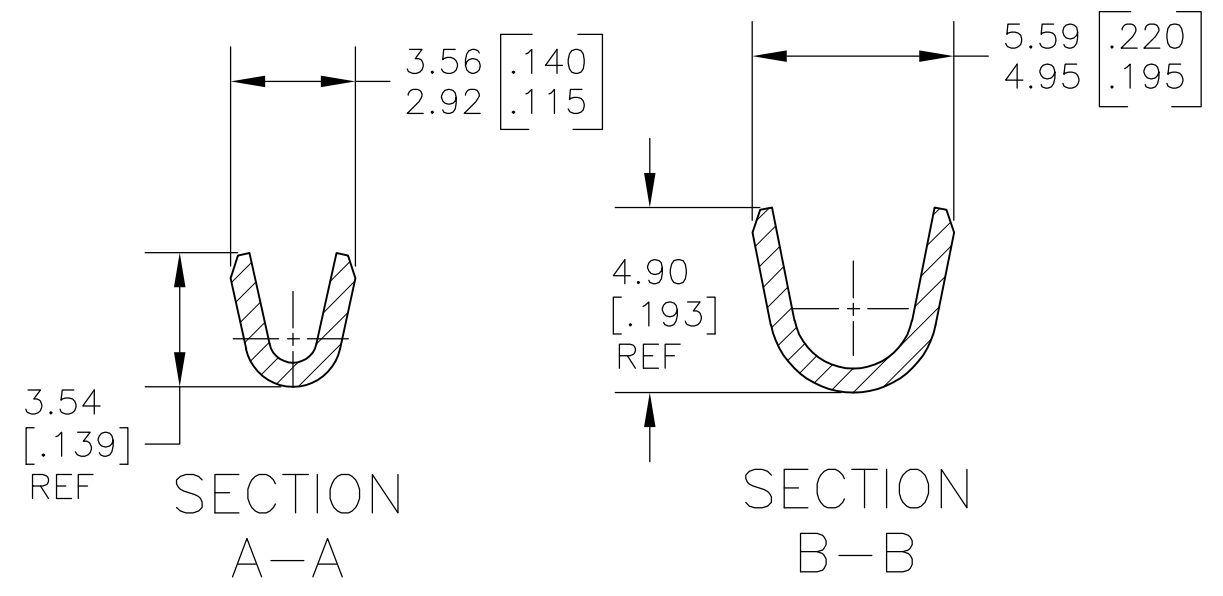
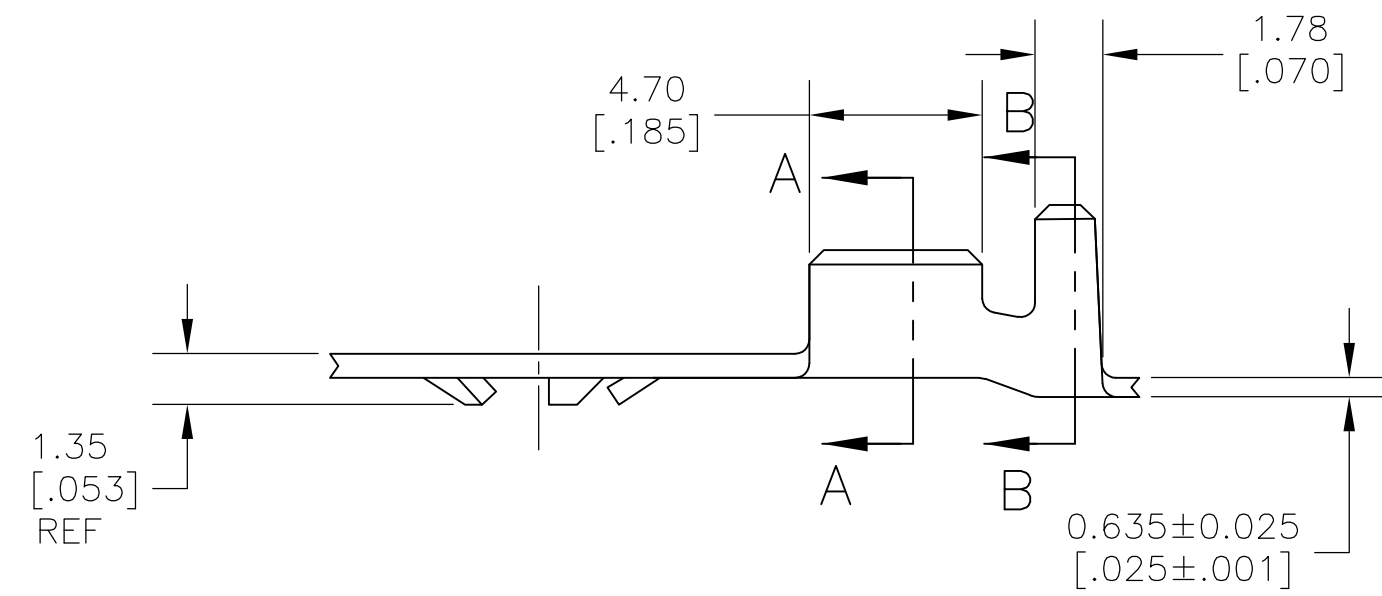


THIS DRAWING IS UNPUBLISHED. RELEASED FOR PUBLICATION
 © COPYRIGHT - By - ALL RIGHTS RESERVED.

REVISIONS					
P	LTR	DESCRIPTION	DATE	DWN	APVD
G1		REVISED PER ECR-16-010133	14JUL2016	NK	DC



- 1 CONTINUOUS STRIP ON REELS.
- 3 WIRE SIZE 0.3-1.3mm² [22-16] AWG.
- 4 INSULATION RANGE 2.54-3.56 [1.00-.140].



61588-1
PART NO

F OR O OR OV	WIDTH	STRIP LENGTH	F	WIDTH	HEIGHT	WIRE
	4.57 [.180] (F AND O)	6.35 [.250]		2.54 [.100]	2.11 [.083]	1.3mm ² [16]
	3.94 [.155] (OV)				1.96 [.077]	0.8mm ² [18]
					1.85 [.073]	0.5mm ² [20]
					1.80 [.071]	0.3mm ² [22]
TYPE	WIDTH	STRIP LENGTH	TYPE	WIDTH	HEIGHT	WIRE
INSUL BARREL CRIMP		±0.38 [.015]	WIRE BARREL CRIMP		±0.05 [.002]	

THIS DRAWING IS A CONTROLLED DOCUMENT.

DIMENSIONS: mm [INCHES]

TOLERANCES UNLESS OTHERWISE SPECIFIED:

0 PLC ± -
 1 PLC ± -
 2 PLC ± 0.38 [.015]
 3 PLC ± -
 4 PLC ± -
 ANGLES ± 5°

MATERIAL #4 HARD BRASS
 FINISH TIN

DWN jr_ruth 19JAN08
 CHK D DECKER 19JAN09
 APVD D DECKER 19JAN09
 PRODUCT SPEC
 APPLICATION SPEC
 WEIGHT -

STE TE Connectivity

NAME RING

SIZE A3 CAGE CODE 00779 DRAWING NO C-61588 RESTRICTED TO -

CUSTOMER DRAWING SCALE 5:1 SHEET 1 OF 1 REV G1